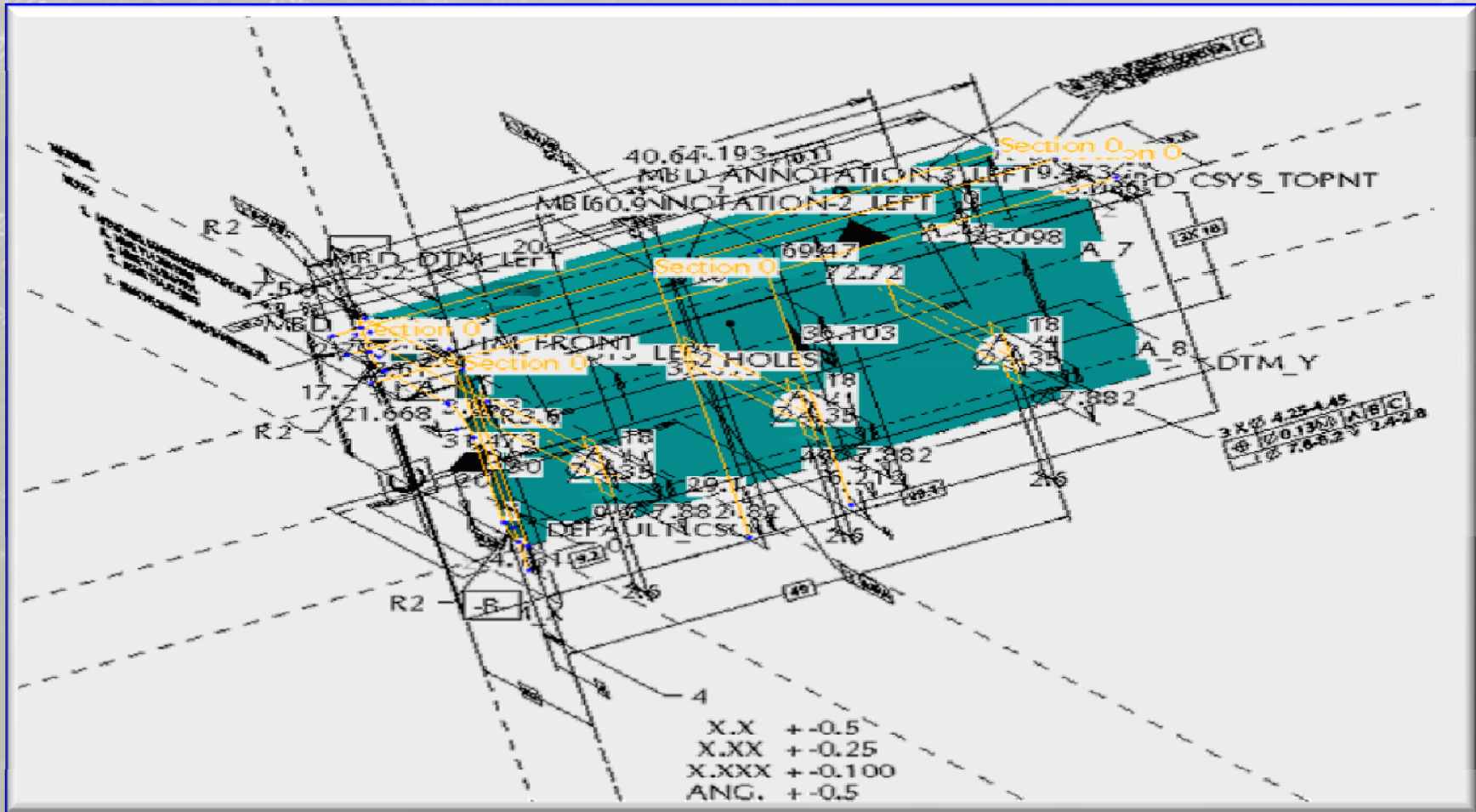


Required Combined Views



- **0_Model_Only** - Although it is not required for MBD this view is recommended to quickly hide all annotation displaying only the model
- **D0_Default** - Legal notice, Proprietary notice, ITAR notice and/or other company specific notices.
- **D1_Site_Map** - Notes identifying all available combination views
- **D2_Titles** - Title Block information (Company name, design description, model number, cage code, design signatures, block tolerances, material and finish requirements)
- **D3_Properties** - Overall boundary dimensions, mass properties, material, finish requirements and title block information
- **D3_Characteristics** - Optional – Key characteristics
- **D4_General_Notes** - General note information
- **D5_Set_Datums** - Set datums
- **D6_User_Derfined** - Exploded Views, Section Views and Assembly Unique views
- **D7_User_Defined** - Define the details of the Machining operations using annotations
- **D8_User_Defined** - Define the details of the Welding operations using annotations

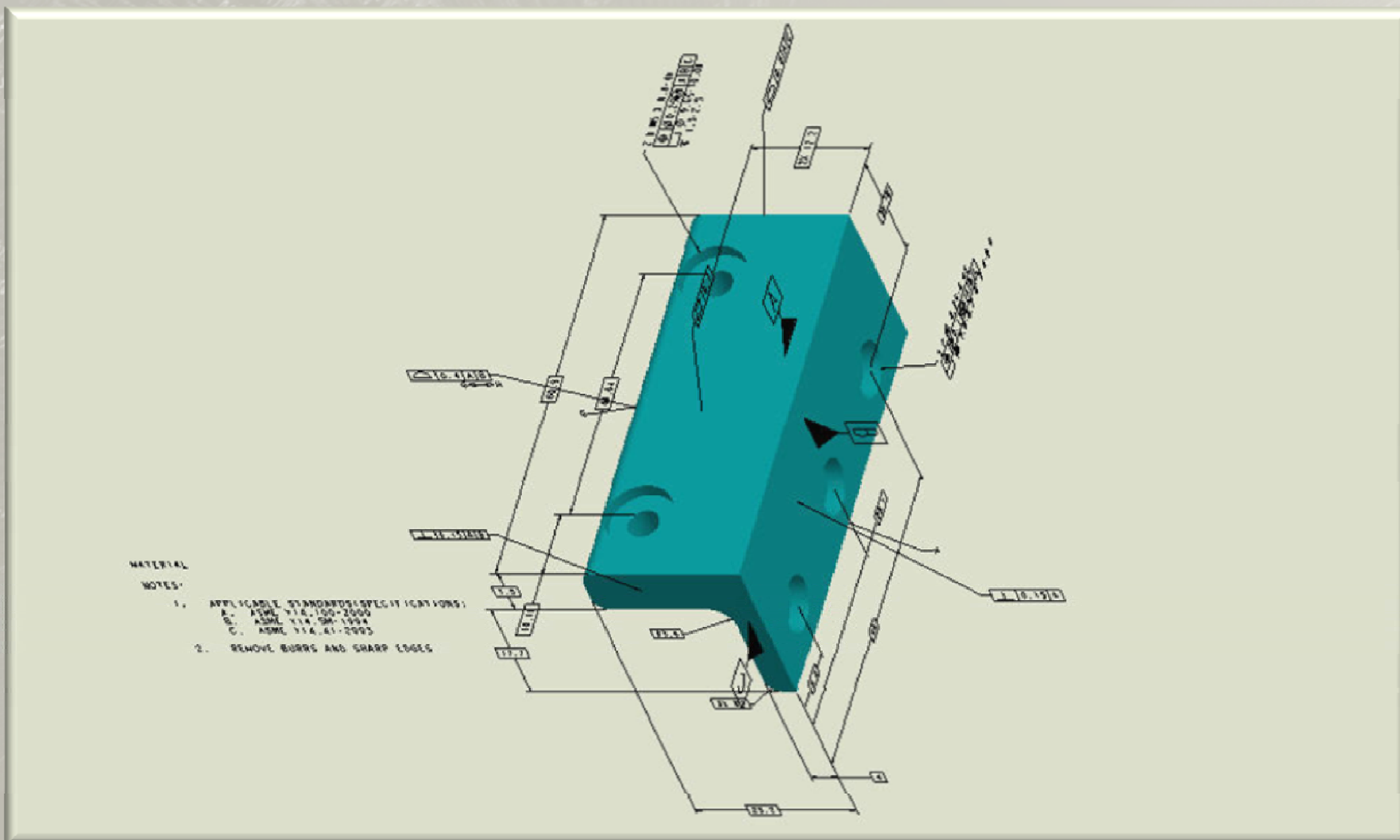
Without the Schema...



With the Schema...

MBE

Model Based Enterprise



CAD Agnostic TDP

Delivering the TDP



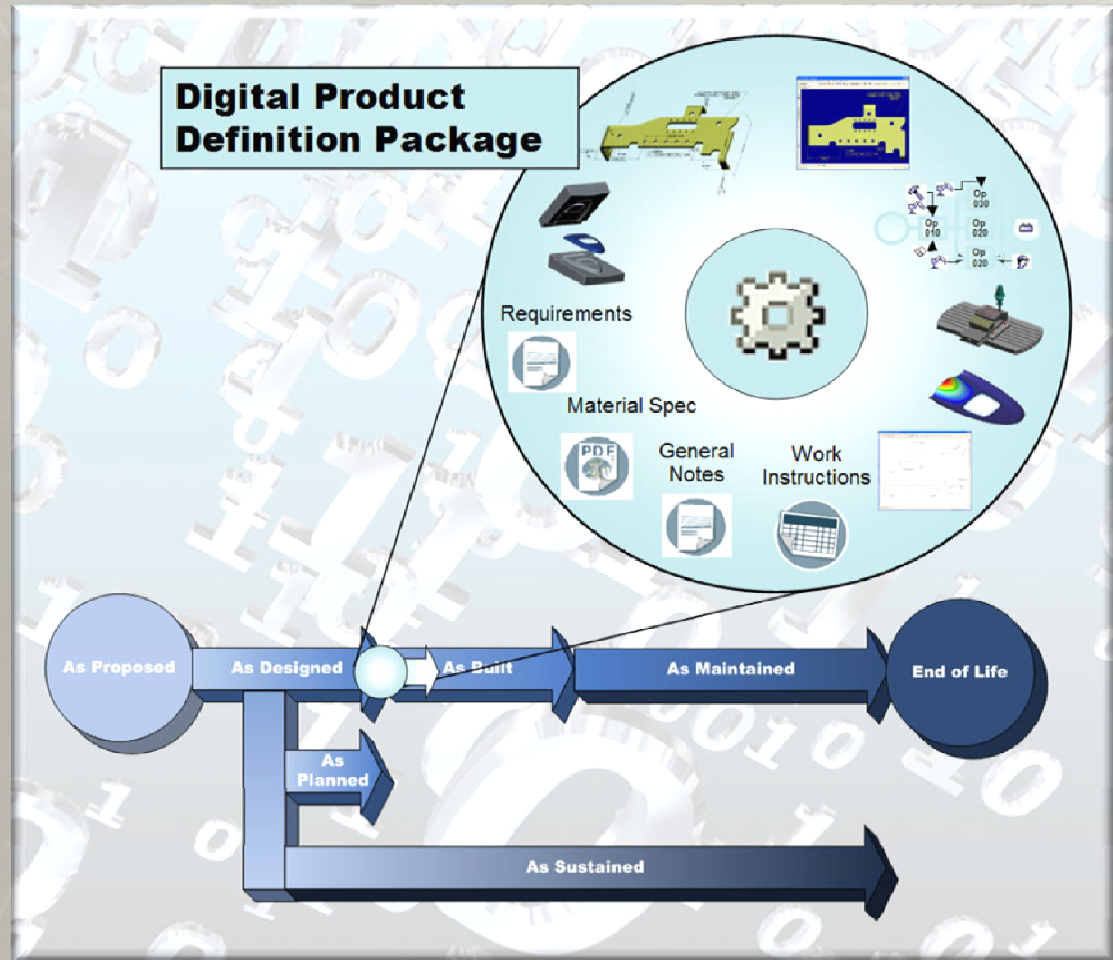
- Brief Overview
- The Annotated Model
- Model Organization
- CAD Agnostic TDP
- Closing



What is the TDP?



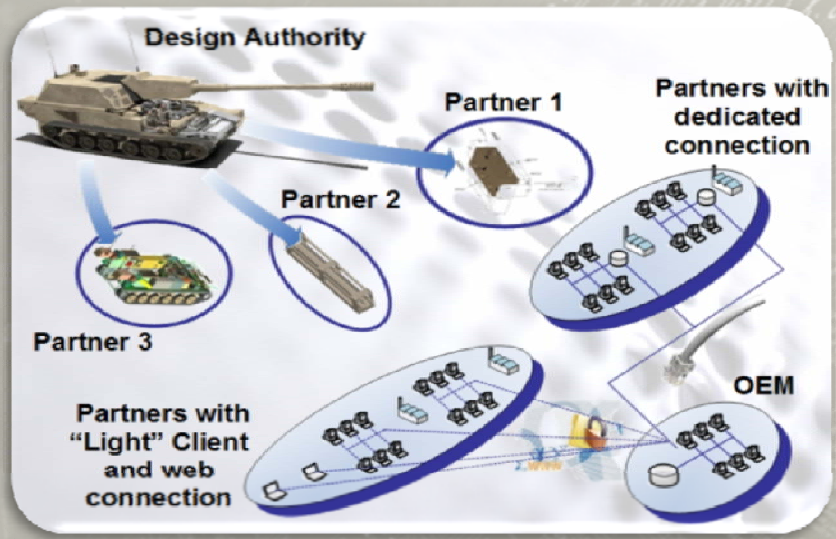
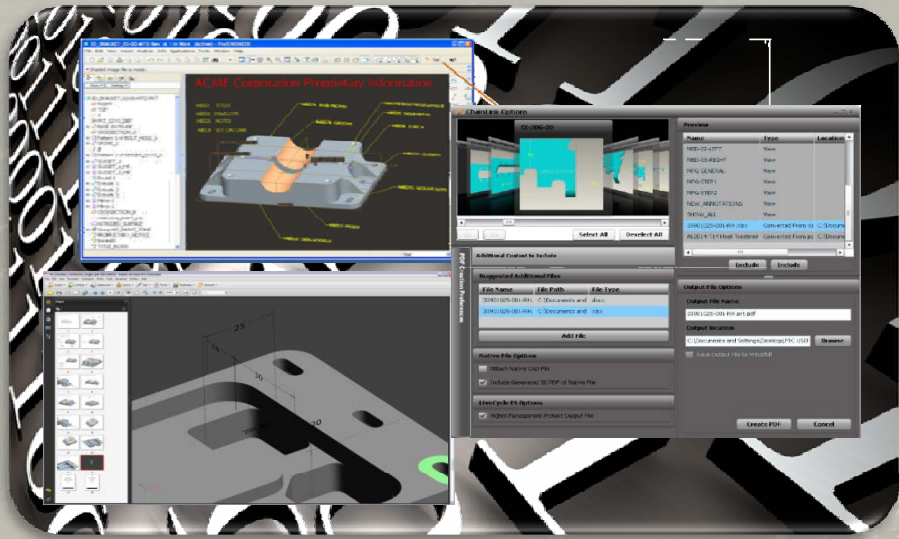
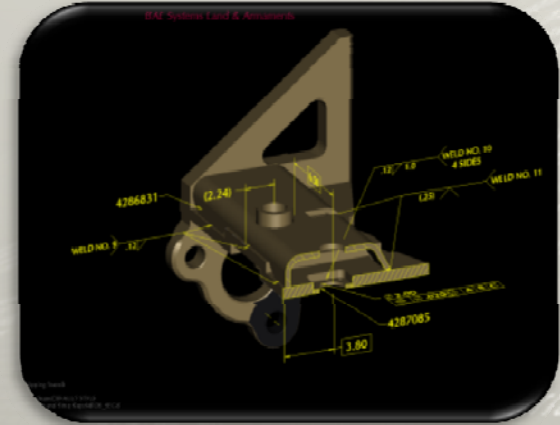
- 3D Geometry
- Associated PMI, Annotations, and Notes
- Product Meta Data
- Other Associated Documents
- Configuration Management
- Security



The 3D TDP



We have developed a process that allows for not only the standard creation of 3D TDP but also their delivery via a PDF package allowing for a true “CAD Agnostic” and free format

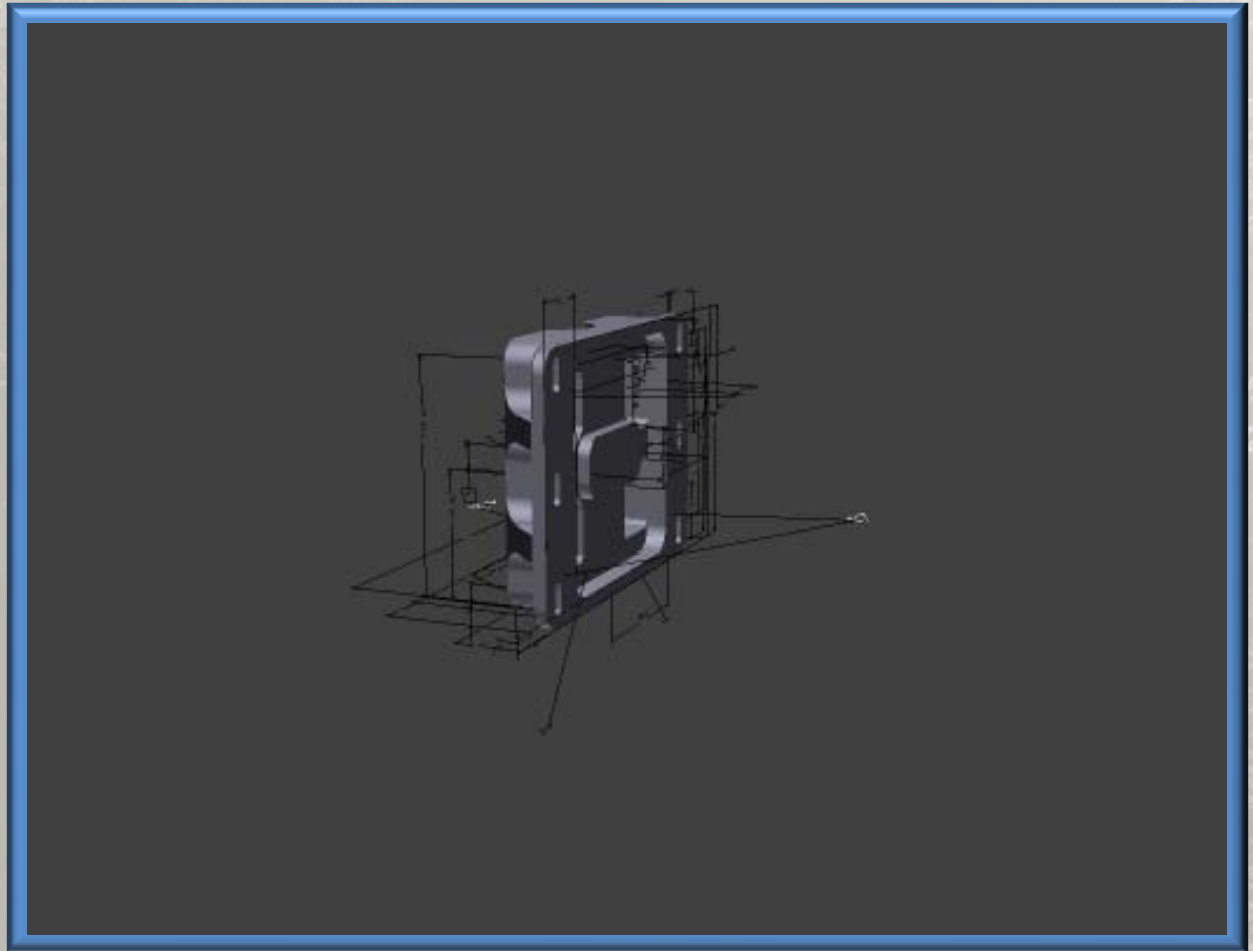


The 3D TDP



This type of TDP delivers the information to both the supply chain and the customer utilizing a CAD agnostic viewer provided by Adobe[®]

The final deliverable can be read by any PC with a free Adobe reader



The Supply Pack Tool

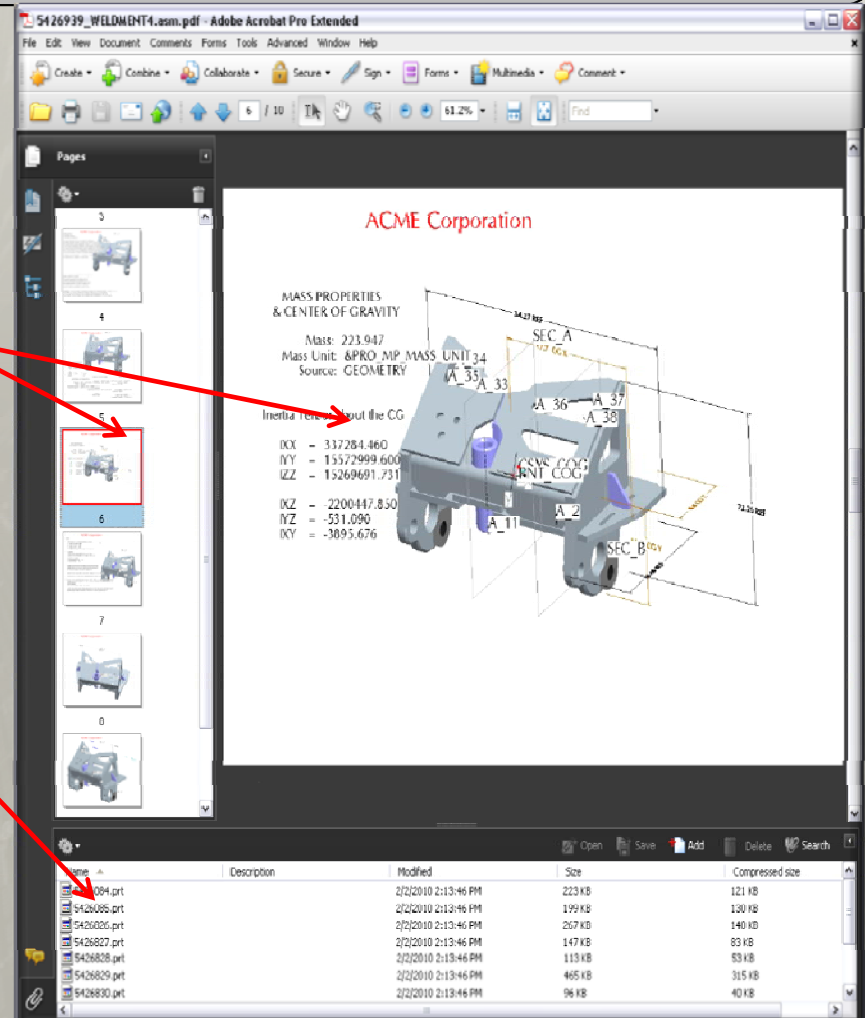
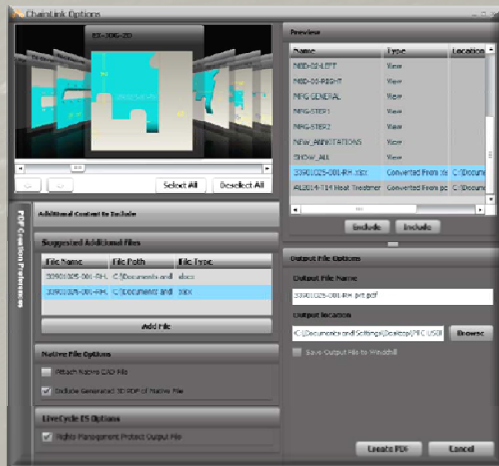


I-Cubed[®] provides a tool that can automatically generate the 3D PDF

It provides both 2D reference views and a 3D PDF

It currently works within Pro/Engineer[®]

It also contains the native CAD files and STEP or any other needed information





- Brief Overview
- The Annotated Model
- Model Organization
- CAD Agnostic TDP
- Closing



Closing

Wrapping it All Up

In Closing



- The DoD is making the switch to a MBD based 3D TDP
- It will be CAD Agnostic
- It will facilitate re-use of the data
- It will contain the complete product definition
- It will help reduce the time to mission
- It will revolutionize the industry
- It is ready

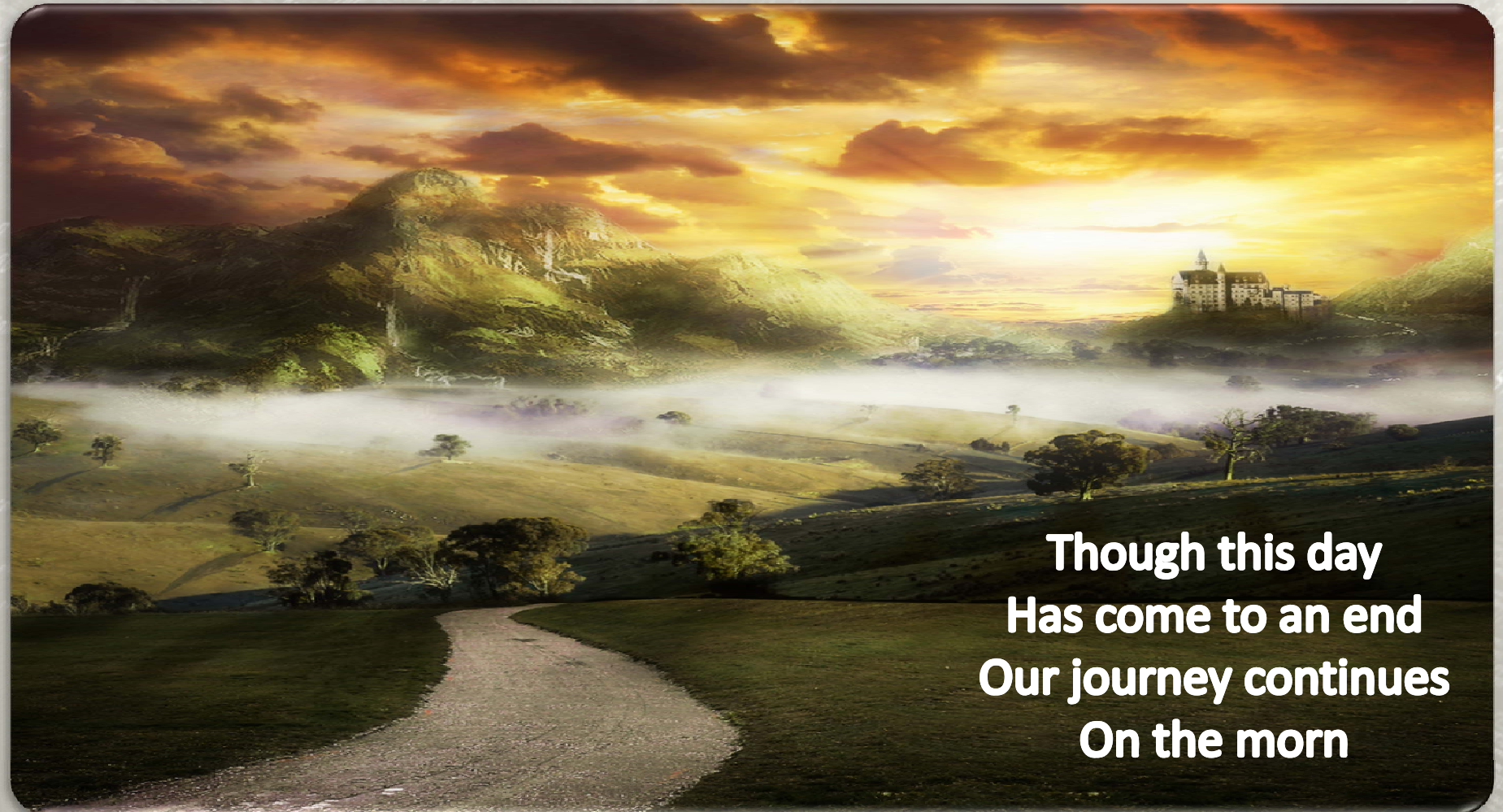


Questions

MBE
Model Based Enterprise



The End



**Though this day
Has come to an end
Our journey continues
On the morn**